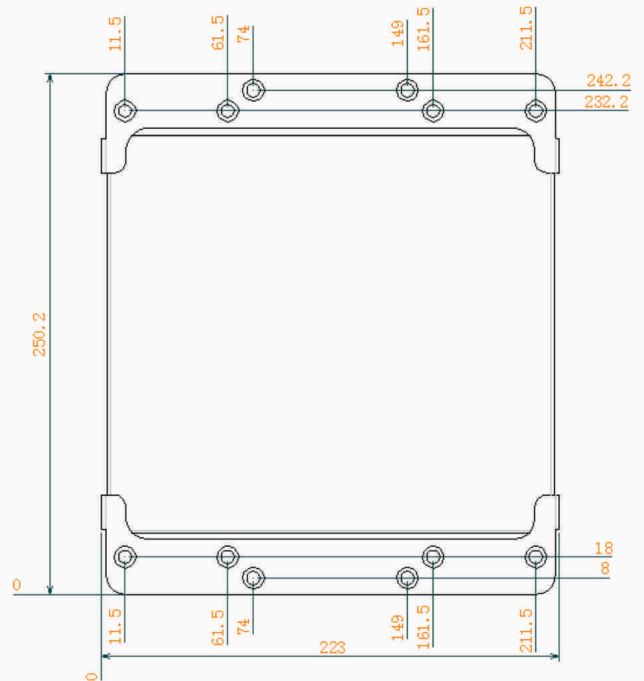


Wall mount Drawing

Specification

<b>Model</b>	T2S0048
<b>System</b>	Compact Mini ITX System, Intel Braswell ITX System, Intel® Celeron® N3700 on-board SoC, 4* LAN
<b>Chassis</b>	IT201 (T2 T-Bone) Stylish Black w ith optinal FAN, PWR / HDD Led 1* 2.5" Drive Bay
<b>Mainboard</b>	X11SBA-LN4F N3700 System on Chip
<b>CPU</b>	N3700 Pentium Quad Core 1.6-2.4GHz, 2MB
<b>Memory</b>	Intel® HD Graphics supports DX11.1 and OpenGL
<b>Display</b>	1 x HDMI/DP (up to 3840x2160@30Hz) DisplayPort 1.1a HDMI version 1.4b
<b>Ethernet</b>	Quad GbE LAN w ith Intel® i210-AT
<b>Audio</b>	Realtek ALC888S HD Audio
<b>Super I/O</b>	Pericom 608GP
<b>Rear I/O</b>	HDMI, Display Port, 4* RJ45 GbE, 1*RJ45 IPMI, 2* USB 2.0, 2* USB 3.0, VGA(for BMC)
<b>on Board</b>	TPM, SMBUS (4pin), Digital I/O (2*5pin), PS/2, USB2.0 (2,0mm), 1* Mini PClex1 w / mSATA
<b>Watch Dog</b>	Softw are programmable, support 1~255 sec. system reset
<b>Power</b>	2pin 12VDC via 84Watt AC/DC Adapter 90-230V AC
<b>Dimension</b>	W218 x D 200 x H 56 mm
<b>Weight</b>	2,05KG w ithout Pow er Adapter / Mounting Kits



Optional parts

32200-000049-RS, 1\* DB9 COM Port RS232  
 T23WVK, Wall mount need 2 pcs / half Vesa mount only 1 pcs  
 mSATA SSD (Colay with mPCIe port)  
 Bluetooth, W-LAN, WIFI, 3G, 4G Modem, SIM, GPS via mPCIe Slot

Packing List

- 1\* T2S0048 ITX System , Intel® N3700 Pentium Quad Core 1.6-2.4GHz , 2MB
- 1\* AD84LM 12V 2pin w ith Srew Lock Pow er Adapter 90-230V AC, EU Pow er Cord
- Driver / Utility DVD
- F2X410 2\* 40mm FAN
- 2\* Stand for Vertical Desktop use